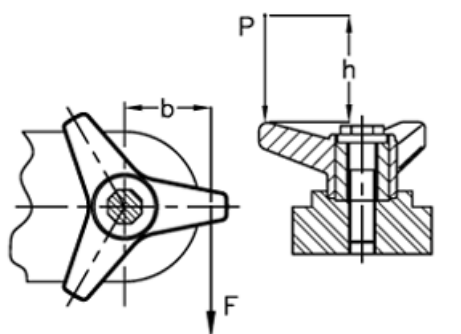
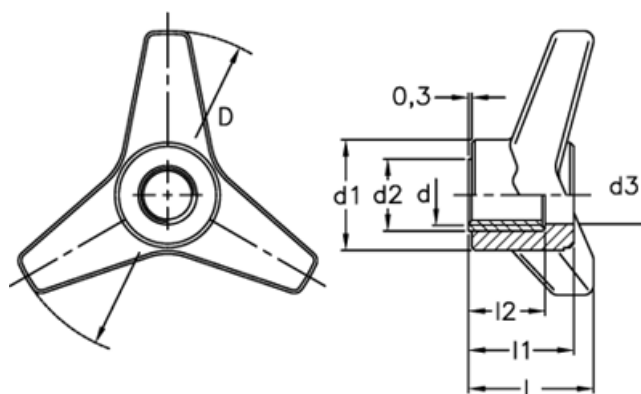


Article number: 2302065681
 Description: E+G Three-arm knob
 VB.639/80 FP-M12

Measures



$$C[N \cdot m] = F[N] \cdot b[m] \quad L[J] = P[N] \cdot h[m]$$

C (N m) = 80
 D = 80
 d1 = 32
 d2 = 18
 d3 = 17
 d 6H = M12
 L = 36
 L(J) = 7

l1 = 30
 l2 = 25